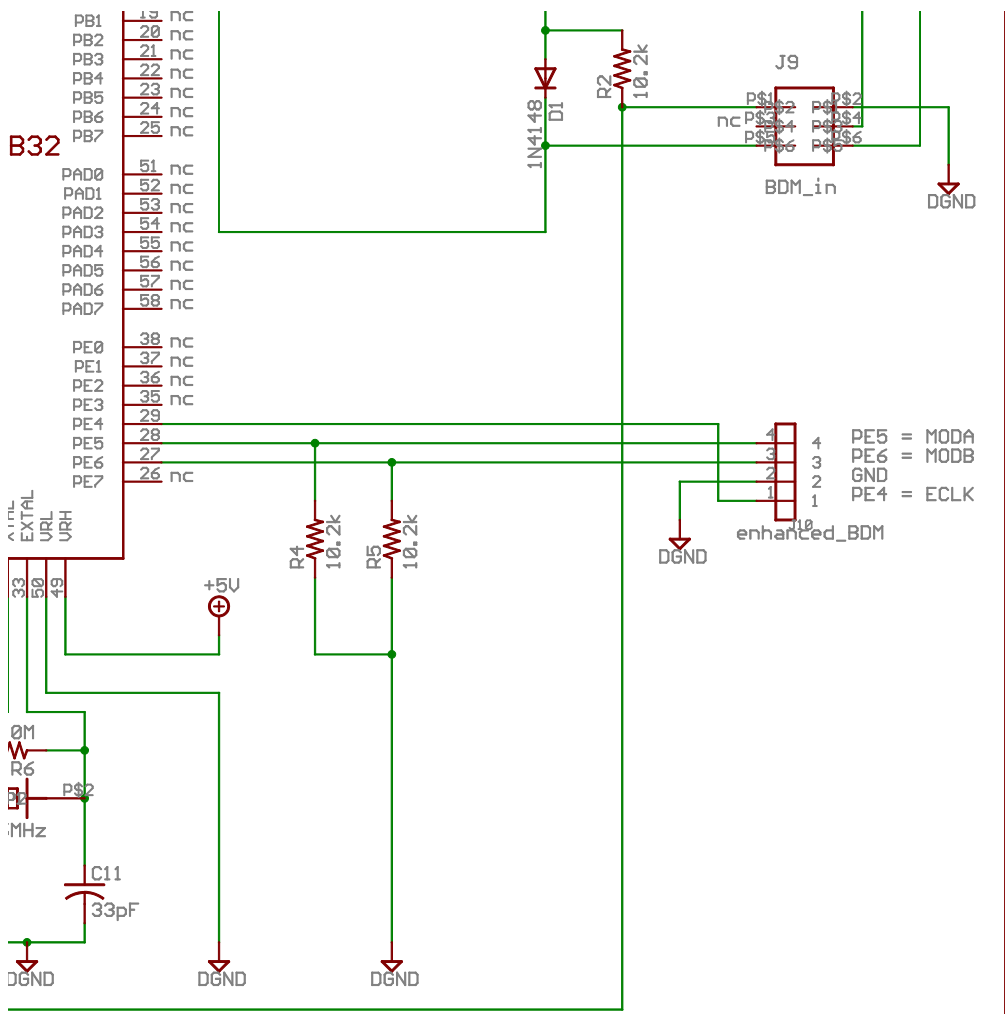


Designator Not Used

Last Designator
C11 R7 J11 X



Ultrasonic Rangefinder	
WWU Senior Project	
Eric Scott	
TITLE: Rangefinder2	
Document Number:	REV:
Date: 4/29/2003 09:30:09a	Sheet: 1/1

ator Used
(1 U2

