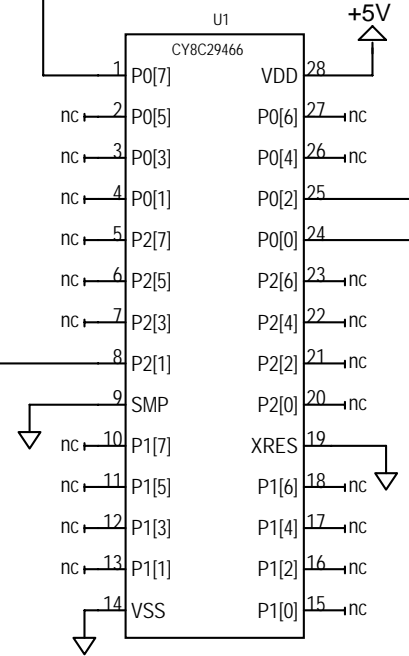
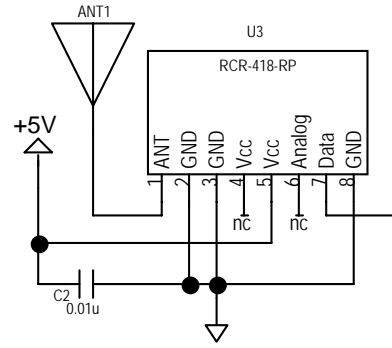


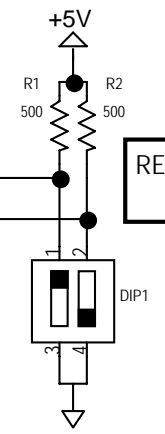
PSoC MICROCONTROLLER



WIRELESS RECEIVER



REMOTE CONTROL MODULE ID SELECTOR



NAME: JUSTIN KLUMPP & LEO WAN
 PROJECT: HOME CONTROL SYSTEM
 SCHEMATIC: WIRELESS APPLIANCE CONTROL MODULE
 DATE: APRIL 14, 2006

LAST DESIGNATOR USED
 R3 ANT1 DIP1 J1 T1 Q1
 D1 C3 U3 K1 P1 CR1 F1